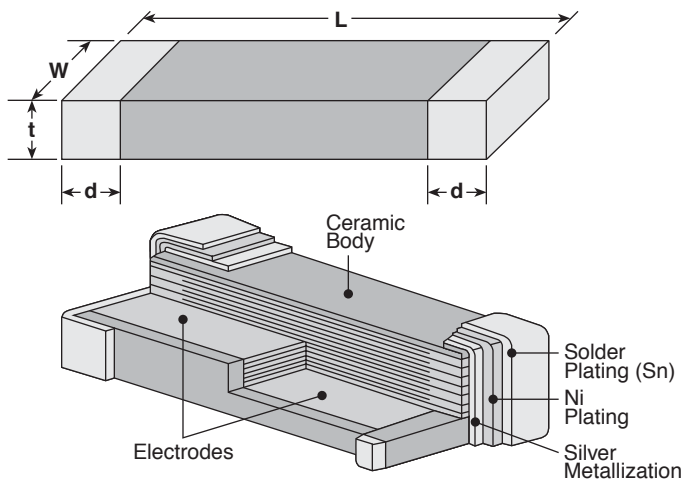




features

- High Q factor
- Low T.C.C.
- Available in high capacitance values (up to 100 μ F)
- Products with lead-free terminations meet EU RoHS requirements

dimensions and construction



Case Size	Dimensions inches (mm)			
	L	W	t (Max.)	d
0402	.039 \pm .004 (1.0 \pm 0.1)	.02 \pm .004 (0.5 \pm 0.1)	.021 (0.55)	.01 \pm .006 (0.25 \pm 0.15)
0603	.063 \pm .006 (1.6 \pm 0.15)	.032 \pm .006 (0.81 \pm 0.15)	.035 (0.9)	.014 \pm .006 (0.35 \pm 0.15)
0805	.079 \pm .008 (2.01 \pm 0.2)	.049 \pm .008 (1.25 \pm 0.2)	.051 (1.3)	.02 \pm .01 (0.50 \pm 0.25)
1206	.126 \pm .008 (3.2 \pm 0.2)	.063 \pm .008 (1.6 \pm 0.2)	.059 (1.5)	.02 \pm .01 (0.5 \pm 0.25)
1210	.126 \pm .008 (3.2 \pm 0.2)	.098 \pm .008 (2.5 \pm 0.2)	.067 (1.7)	.02 \pm .01 (0.5 \pm 0.25)

ordering information

New Part #	NPO	0805	H	T	TD	101	K
	Dielectric	Size	Voltage	Termination Material	Packaging	Capacitance	Tolerance
	NPO X5R X7R Y5V	0402 0603 0805 1206 1210	A = 10V C = 16V E = 25V H = 50V I = 100V J = 200V K = 6.3V	T: Sn	TP: 7" 2mm pitch (0402 only) TD: 7" paper tape TE: 7" embossed plastic TDB: 13" paper tape TEB: 13" embossed plastic	NPO, X5R, X7R, Y5V: 2 significant digits + no. of zeros. "R" indicates decimal point	B: \pm 0.1pF C: \pm 0.25pF D: \pm 0.5pF F: \pm 1% G: \pm 2% J: \pm 5% K: \pm 10% M: \pm 20% Z: +80, -20%

For further information on packaging, please refer to Appendix B.

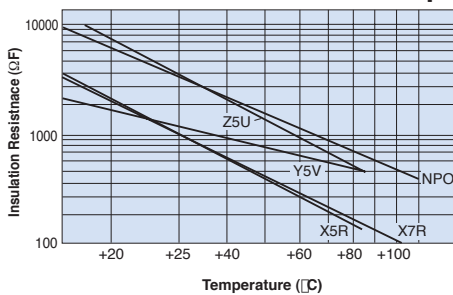
applications and ratings

Dielectric	Capacitance Range	Capacitance Tolerance*	Voltage Ratings	Dissipation Factor	T.C.C.	Test Voltage	Operating Temperature	Insulation Resistance
NPO	0.47pF - 0.010μF	.47pF~8.2pF= C:±0.25pF 5.6pF~8.2pF= D±0.5pF 10pF~ 10000pF= F:±1%, G:±2%,J:±5%	16V 25V 50V 100V 200V	For Values >30pF: 0.1% max., ≤30pF: Q = 400 + 20 x C DF = 1/Q C is in pF	0 ± 30 ppm/°C	1.0 ± 0.2 Vrms	-55°C to +125°C	+25°C 100,000MΩ min. or 1000 MΩ - μF min. whichever is less
X5R	0.068μF - 22μF	K: ±10%	6.3V 10V	6.3V = 7.5% max. 10V = 10% max.	±15% (0 VDC)	1.0 ± 0.2 Vrms	-55°C to +85°C	+25°C 100,000MΩ min. or 500 MΩ - μF min. whichever is less
X7R	100pF - 4.7μF	K: ±10%	10V 16V 25V 50V 100V 200V	10V = 10% max. 16V = 3.5% max. 25V, 50V, 100V = 2.5% max.	±15% (0 VDC)	1.0 ± 0.2 Vrms	-55°C to +125°C	+25°C 100,000MΩ min. or 1000 MΩ - μF min. whichever is less
Y5V	10000pF - 22μF	Z: +80, -20%	10V 16V 25V 50V	16V & 25V = 7.0% 50V = 5.0%	+22% to -82% max.	1.0 ± 0.2 Vrms	-30°C to +85°C	+25°C 10,000MΩ min. or 1000 MΩ - μF min. whichever is less

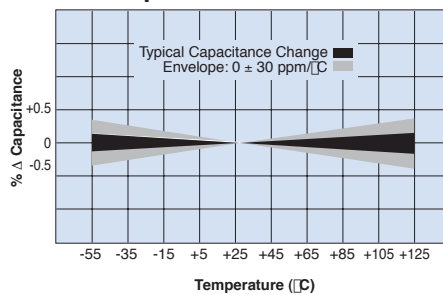
* Special tolerances available, please consult factory.

environmental applications

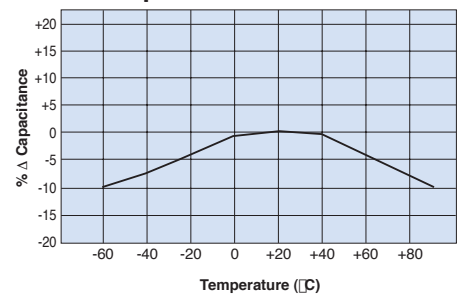
Insulation Resistance vs Temp.



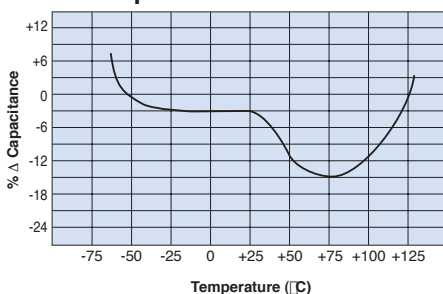
NPO - Temperature Coefficient



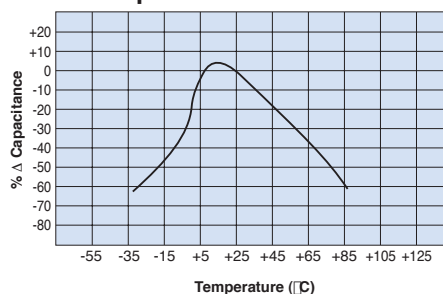
X5R - Temperature Coefficient



X7R - Temperature Coefficient



Y5V - Temperature Coefficient



NPO capacitance voltage availability

Size				0402*			0603*			0805			1206			1210	
pF	Capacitance values		WVDC	16 (C)	25 (E)	50 (H)	50 (H)	100 (I)	50 (H)	100 (I)	200 (J)	50 (H)	100 (I)	200 (J)	50 (H)	200 (J)	
	μ F	Cap. Code															
0.47		R47															
0.56		R56															
0.68		R68															
0.82		R82															
1		1R0															
1.2		1R2															
1.5		1R5															
1.8		1R8															
2.2		2R2															
2.7		2R7															
3.3		3R3															
3.9		3R9															
4.7		4R7															
5.6		5R6															
6.8		6R8															
8.2		8R2															
10		100															
12		120															
15		150															
18		180															
22		220															
27		270															
33		330															
39		390															
47		470															
56		560															
68		680															
82		820															
100	.0001	101															
120	.00012	121															
150	.00015	151															
180	.00018	181															
220	.00022	221															
270	.00027	271															
330	.00033	331															
390	.00039	391															
470	.00047	471															
560	.00056	561															
680	.00068	681															
820	.00082	821															
1000	.0010	102															
1200	.0012	122															
1500	.0015	152															
1800	.0018	182															
2200	.0022	222															
2700	.0027	272															
3300	.0033	332															
3900	.0039	392															
4700	.0047	472															
5600	.0056	562															
6800	.0068	682															
8200	.0082	822															
10000	.010	103															
12000	.012	123															
15000	.015	153															
18000	.018	183															
22000	.022	223															
27000	.027	273															
33000	.033	333															
39000	.039	393															

Capacitance tolerance available:

.47pF~8.2pF = C: ± 0.25 pF

5.6pF~8.2pF = D: ± 0.5 pF

10pF~10000pF = F: $\pm 1\%$, G: $\pm 2\%$, J: $\pm 5\%$

X5R capacitance voltage availability

Size	0402			0603				0805				1206				1210	
	6.3 (K)	10 (A)	16 (C)	6.3 (K)	10 (A)	16 (C)	25 (E)	6.3 (K)	10 (A)	16 (C)	25 (E)	6.3 (K)	10 (A)	16 (C)	25 (E)	6.3 (K)	10 (A)
100																	
150																	
220																	
330																	
470																	
680																	
1000																	
1200																	
1500																	
1800																	
2200																	
2700																	
3300																	
3900																	
4700																	
5600																	
6800																	
8200																	
0.010																	
0.012																	
0.015																	
0.018																	
0.022																	
0.027																	
0.033																	
0.039																	
0.047																	
0.056		■															
0.068		■															
0.082		■															
0.10		■															
0.12		■															
0.15		■															
0.18																	
0.22																	
0.27																	
0.33					■												
0.47					■												
0.56					■												
0.68																	
0.82																	
1.0				■	■												
1.2																	
1.5																	
1.8																	
2.2								■	■								
3.3								■	■								
4.7								■	■			■	■				
6.8												■	■				
10												■	■			■	
22												■	■				
47																	
100																	

Capacitance tolerance available: ±10%

capacitors

X7R capacitance voltage availability

Size			0402*				0603*				0805					1206					1210					
Capacitance values pF	μF	Cap. Code	10	16	25	50	10	16	25	50	10	16	25	50	100	200	10	16	25	50	100	200	50	100	200	
			(A)	(C)	(E)	(H)	(A)	(C)	(E)	(H)	(A)	(C)	(E)	(H)	(I)	(J)	(A)	(C)	(E)	(H)	(I)	(J)	(H)	(I)	(J)	
100	.0001	101																								
120	.00012	121																								
150	.00015	151																								
180	.00018	181																								
220	.00022	221																								
270	.00027	271																								
330	.00033	331																								
390	.00039	391																								
470	.00047	471																								
560	.00056	561																								
680	.00068	681																								
820	.00082	821																								
1000	.0010	102																								
1200	.0012	122																								
1500	.0015	152																								
1800	.0018	182																								
2200	.0022	222																								
2700	.0027	272																								
3300	.0033	332																								
3900	.0039	392																								
4700	.0047	472																								
5600	.0056	562																								
6800	.0068	682																								
8200	.0082	822																								
10000	.010	103																								
12000	.012	123																								
15000	.015	153																								
18000	.018	183																								
22000	.022	223																								
27000	.027	273																								
33000	.033	333																								
39000	.039	393																								
47000	.047	473																								
56000	.056	563																								
68000	.068	683																								
82000	.082	823																								
100000	.100	104																								
120000	.120	124																								
150000	.150	154																								
180000	.180	184																								
220000	.220	224																								
270000	.270	274																								
330000	.330	334																								
390000	.390	394																								
470000	.470	474																								
560000	.560	564																								
680000	.680	684																								
1000000	1.00	105																								
1200000	1.20	125																								
1500000	1.50	155																								
1800000	1.80	185																								
2200000	2.20	225																								
3900000	3.90	395																								
4700000	4.70	475																								

Capacitance tolerance available: ±10%

Y5V capacitance voltage availability

Size			0402*		0603*				0805				1206			
Capacitance values pF	μF	Cap. Code	10	16	10	16	25	50	10	16	25	50	10	16	25	50
			(A)	(C)	(A)	(C)	(E)	(H)	(A)	(C)	(E)	(H)	(A)	(C)	(E)	(H)
2200	.0022	222														
2700	.0027	272														
3300	.0033	332														
3900	.0039	392														
4700	.0047	472														
5600	.0056	562														
6800	.0068	682														
8200	.0082	822														
10000	.010	103														
12000	.012	123														
15000	.015	153														
18000	.018	183														
22000	.022	223														
27000	.027	273														
33000	.033	333														
39000	.039	393														
47000	.047	473														
56000	.056	563														
68000	.068	683														
82000	.082	823														
100000	.100	104														
120000	.120	124														
150000	.150	154														
180000	.180	184														
220000	.220	224														
270000	.270	274														
330000	.330	334														
390000	.390	394														
470000	.470	474														
560000	.560	564														
680000	.680	684														
820000	.820	824														
1000000	1.0	105														
1200000	1.2	125														
1500000	1.5	155														
1800000	1.8	185														
2200000	2.2	225														
2700000	2.7	275														
3300000	3.3	335														
3900000	3.9	395														
4700000	4.7	475														
5600000	5.6	565														
6800000	6.8	685														
10000000	10	106														
22000000	22	226														

Capacitance tolerance available: +80, -20%

capacitors